



# REPTAIL LM



## USE FOR:

- HIGHWAYS
- AIRPORTS
- RAILWAYS
- INDUSTRY FIELDS
- TERMINAL AREAS
- ETC...

## FEATURES:

- PATENTED SPREADER UNIT
- WEIGHT 7500 KG
- WORKING THICKNESS 0 - 400 MM
- WORKING WIDTH 4,0 – 5,6 M
- TILT AUTOMATION
- TELESCOPE FRAME
- JOYSTICK CONTROL
- READINESS FOR MACHINE CONTROL
- FOR OVER 24 TONS LOADERS AND DOZERS



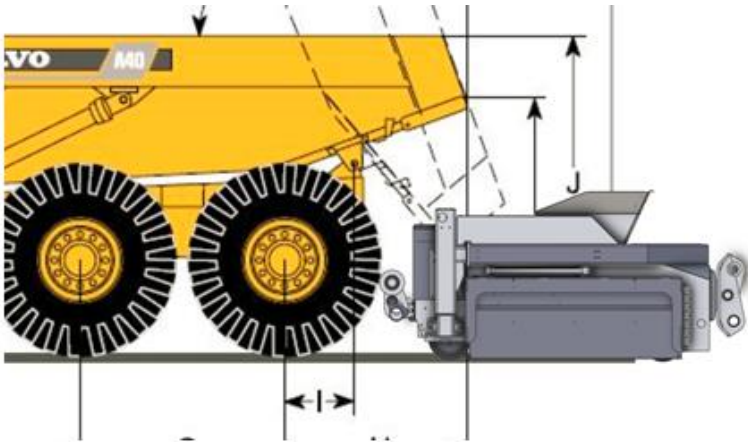
## SALES:

**REPTAIL OY**

**+358 400 521631 / pasi.mantynen@reptail.fi**

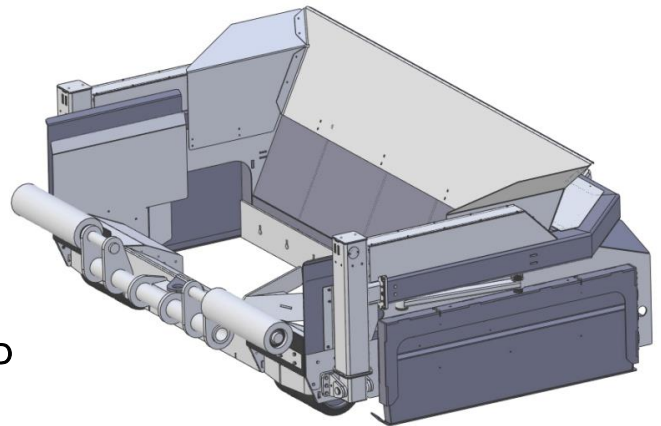
**WWW.REPTAIL.FI**

# REPTAIL LM



- CAPACITY OVER 1 000 TON/ H
- SAVING FUEL 50%  
COMPARING TO TRADITIONAL  
METHODS
- SAVING MATERIAL EVEN 20 %
- VERY LOW OPERATING COSTS

- MADE IN FINLAND
- WEARING PARTS MADE BY HARDOX  
STEEL
- HIGH QUALITY COMPONENTS
- CONTINUOUS PRODUCT  
DEVELOPMENT
- DESIGNED TO USE WITH ARTICULATED  
HAULERS LIKE VOLVO A45



## OPTIONS:

- DEVICE FOR GEOTEXTILE SPREADING
- WORKING WIDTH 4,0 – 6,2 METER
- THICKNESS ADJUSTMENT 150-550 MM
- LASER AUTOMATION FOR LEVELLING
- ULTRASOUND AUTOMATION FOR LEVELLING
- 3D- MACHINE CONTROL



## SALES: REPTAIL OY

+358 400 52 1631 / pasi.mantynen@reptail.fi

WWW.REPTAIL.FI